

PRESSURE ACTUATED WATER REGULATING VALVES

Type VWR

SAGInoMIYA

GENERAL DESCRIPTION

- Type VWR: 2-way press. actuated water regulating valves, open on pressure increase.
- Refrigerant: R410A, R407C, R404A
- Type VWR is applicable to the adjustment range which exceeds the applicable adjustment range of type AWR (Refer to next page).
- Pressure connection: 1/4" flare nut (Standard)
- Body material: Bronze for water and glycol.



TYPE NUMBER SELECTION (SPECIFICATIONS)

PRESSURE ACTUATED VALVES 2-WAY

Unit: MPa {kgf/cm²}

Catalog No.	Kind of Refrigerant	Valve Body Material	Connection		Press. Range	Max. Working Press.	Max. Water Temp.(°C)	Max. Water Press.	* Factory Setting	Wt. (kg)	
			Size	Style							
VWR-	1203G	Fluorinated Refrigerants	Bronze	3/8"	Rc	1.5 to 2.9 {15.3 to 29.6}	4.2 {42.8}	60	1 {10.2}	2.4 {24.5}	0.68
	1504G			0.9							
	2006G			1.0							

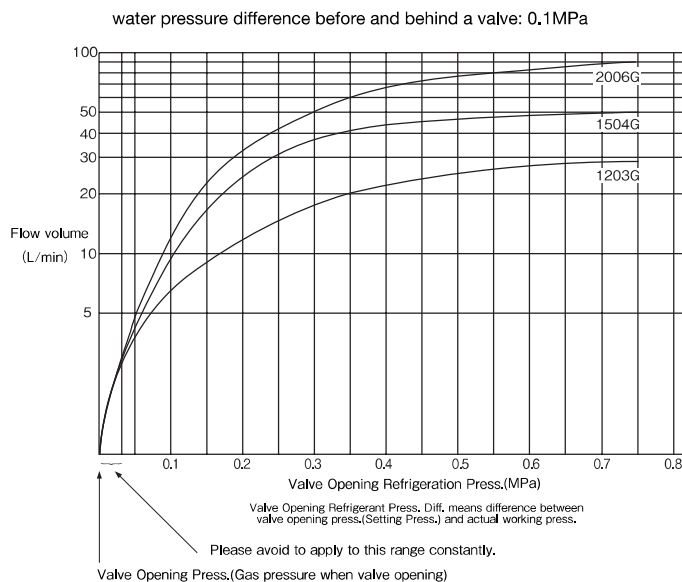
* Pressure at which valve starts opening.

- Adjust type VWR to a set value which is suitable for the refrigerant employed.

FLOW CAPACITY

Flow Capacity shows respectively refrigeration press. diff. at horizontal axis and flow rate of cooling water at vertical axis considering water press. diff. before and behind a valve with 0.1 MPa. (press. diff. between inlet and outlet of valve)

In case of water press. diff. before and behind a valve is excepting for 0.1MPa, value is calculated multiplying by coefficient in compensation table.



ADJUSTMENT

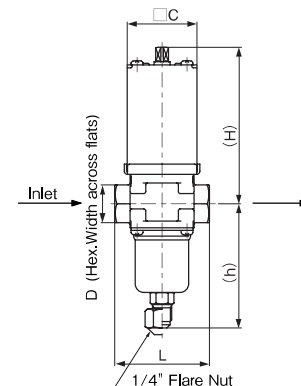
One full turn of adjusting screw changes pressure setting as shown below.

Catalog No.	Change in Press. Setting	
VWR-	1203G	Approx. 0.2MPa
	1504G	
	2006G	

COMPENSATION COEFFICIENTS

Press. Drop Across Valve: MPa {kgf/cm ² }	Coefficient
0.2 {2}	1.4
0.1 {1}	1
0.03 {0.3}	0.55
0.05 {0.5}	0.7
0.07 {0.7}	0.8

DIMENSIONS



Catalog No.	Unit: mm					
	D	L	H	h	□ C	
VWR-	1203G	22	55	91	72	40
	1504G	27	70	100	83	42
	2006G	32	80	104	87	42