

DIAPHRAGM TYPE STOP VALVES

Type ADV

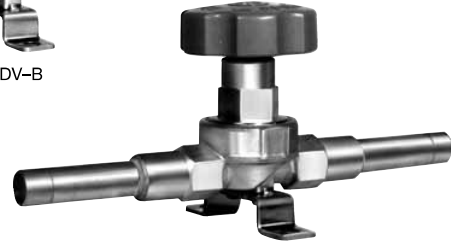
SAGInoMIYA

GENERAL DESCRIPTION

- The valve can be used on the lines of delivery gas, liquid, suction gas and hot gas, etc.
- The valve is applicable to not only Fluorinated refrigerants, but also air.
- In spite of its compactness and light weight, the port diameter is comparatively large to enable to flow a large amount.
- The large diameter handle makes easy and smooth rotation even in vacuum condition.
- Carefully processed valve with selected material provides long trouble free service and dependable operation.
- Type ADV cannot be used in a reverse flow.



Type ADV-B



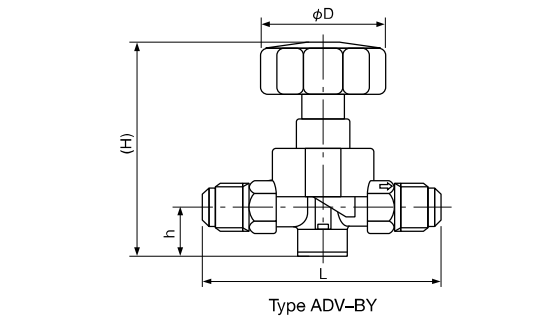
Type ADV-D

TYPE NUMBER SELECTION (SPECIFICATIONS)

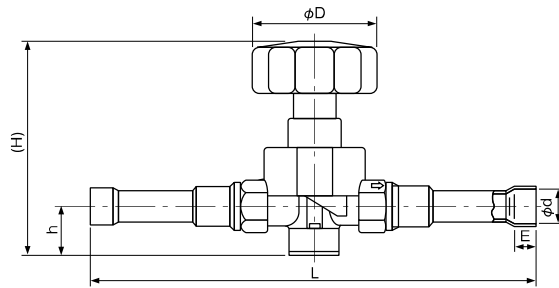
Unit: MPa {kgf/cm²}

Catalog No.	Port Size (mm)	Flow Coefficient	Connection		Max. Working Pressure	Fluid Temp. (°C)	Wt. (kg)
			Copper Tube (O.D.)	Style			
ADV-	902BY	0.35	1/4"	Flare	3.6 (36)	-40 to 120	0.26
	903BY		3/8"				0.32
	1404BY	1/2"	0.51				
	1605BY	5/8"	0.85				
	1606BY	3.46	3/4"				1.13
			902DY				0.35
	903DY	0.79	3/8" (9.53)	0.28			
	1404DY	1.61	1/2" (12.7)	0.46			
	1605DY	2.82	5/8" (15.88)	0.76			
	1606DY	3.46	3/4" (19.05)	0.91			
7/8" (22.23)							

DIMENSIONS



Type ADV-BY



Type ADV-DY

Unit: mm

Catalog No.	Unit: mm						
	L	H	h	φD	φd	E	
ADV-	902BY	80	75	20	52	-	
	903BY	85	75.5	19.5			
	1404BY	101	87.5				
	1605BY	128	98	23			
	1606BY	135	102	25	70	-	
	902DY	165	75	20			52
	903DY		75.5	19.5	9.65		
	1404DY	190	87.5	19.5	70	-	
	1605DY	200	98	23			16.15
	1606DY		102	25			19.3
1607DY	22.45		14				